

ASSEMBLY INSTRUCTION

MODEL CAP36

IMPORTANT NOTE:

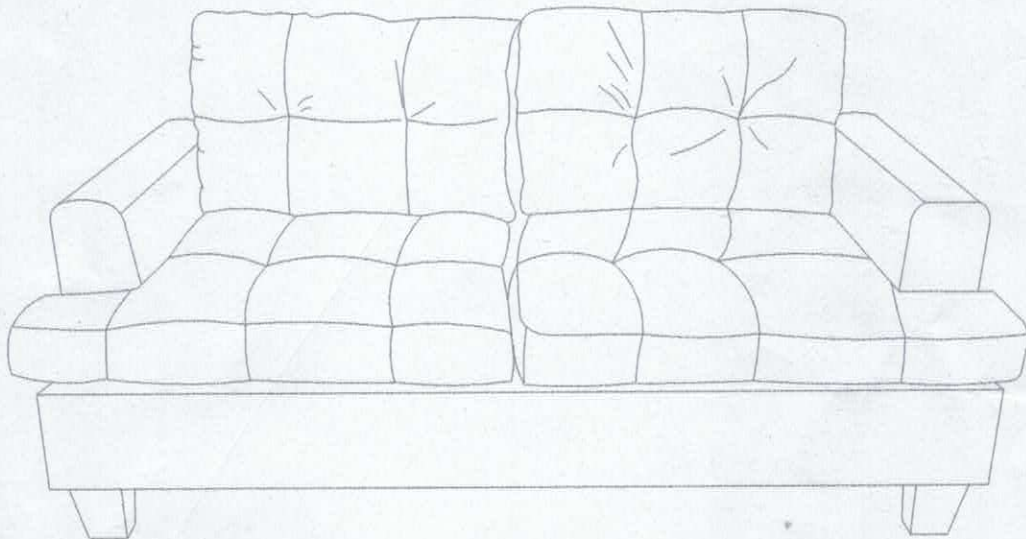
**BEFORE ASSEMBLING, ALL CUSHIONS AND PILLOWS ARE STORED INSIDE THE COMPARTMENT, MUST BE TAKEN OFF.(PLEASE LOOK AT BOTTOM OF PAGE 2)

**PLACE ALL PARTS ON A CLEAN AND SMOOTH SURFACE SUCH AS RUG OR CARPET TO AVOID THE PARTS FROM BEING SCRATCHED.

**BEFORE YOU BEGIN,KINDLY FOLLOW THE ASSEMBLY INSTRUCTIONS STEP BY STEP.

**DO NOT TIGHTEN ALL SCREWS UNTIL THE BED IS FULLY SET-UP.

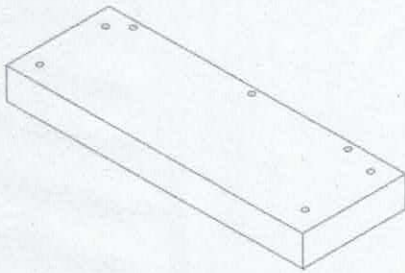
**PLEASE CHOOSE IF THE 2SEATER WILL BE ON THE LEFT OR THE RIGHT HAND SIDE BEFORE ASSMEBLY.



2 SEATER ON THE RIGHT

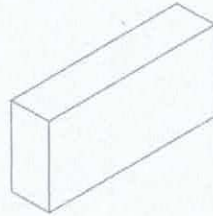
PARTS IDENTIFICATION

A:
2 SEATER BODY FRAME 1PC



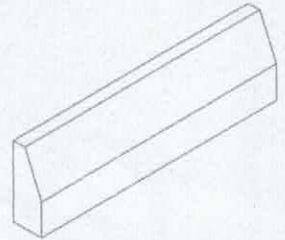
A

B:
ARMREST 2PCS



B

C:
BACKREST 1PC



C

HARDWARE IDENTIFICATION

D: LEG 4PCS



D

E: WASHER 7PCS



E

F: SCREW LOCK 7PCS



F

G: SCREW 7PCS

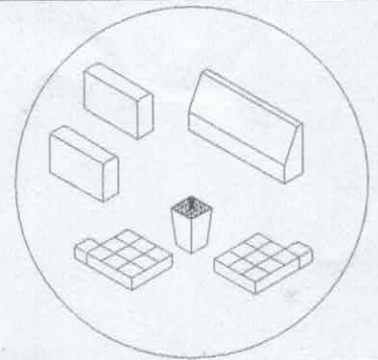
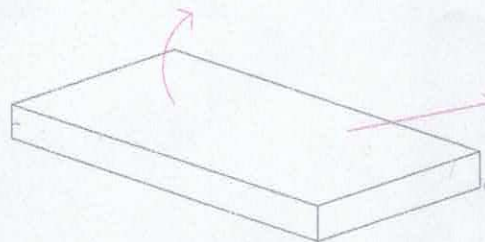


G

H: SPANNER 1PC



H



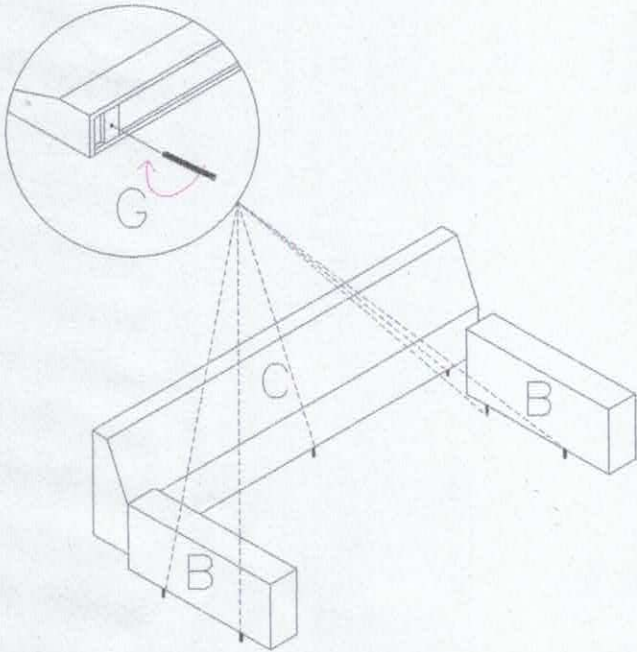
IMPORTANT NOTICE

***ALL BACKRESTS, BACK CUSHIONS ARE SET ASIDE IN THE VELCRO STRIP COMPARTMENT UNDERNEATH THE SEATS OF 2 SEATER

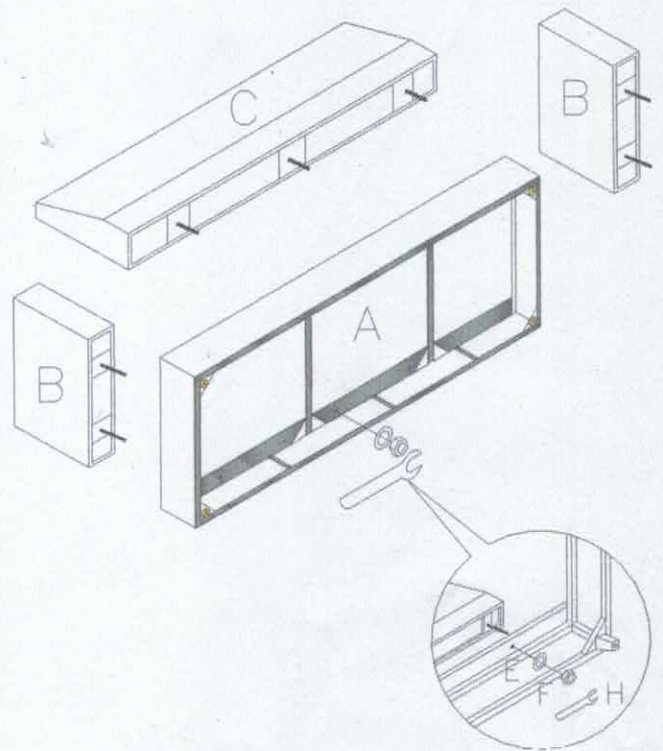
ASSEMBLY INSTRUCTION FOR 2 SEATER ON LEFT

PACK 1:

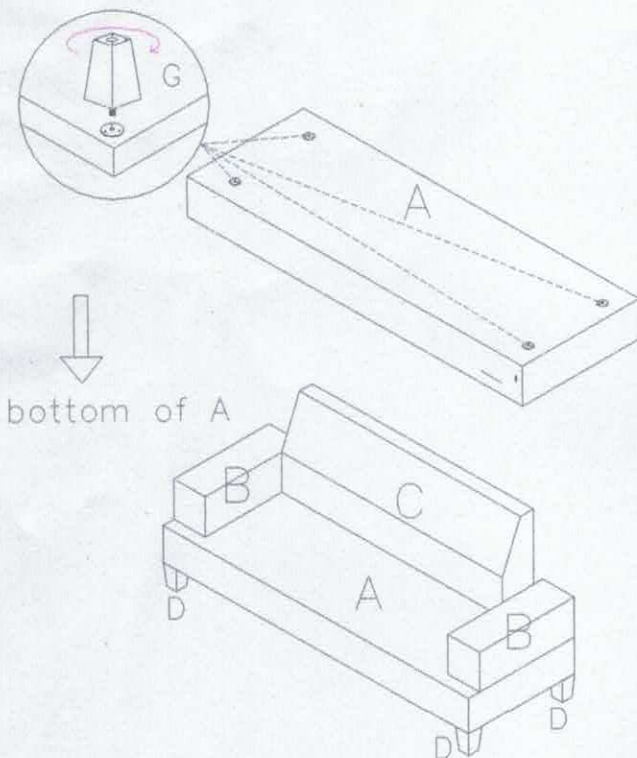
step1: Fix screw to each piece of backrest



step2: Attach backrests to sofa body frame



step3: Attach legs to sofa body frame



step4: Put correct pillows and cushions on sofa.

